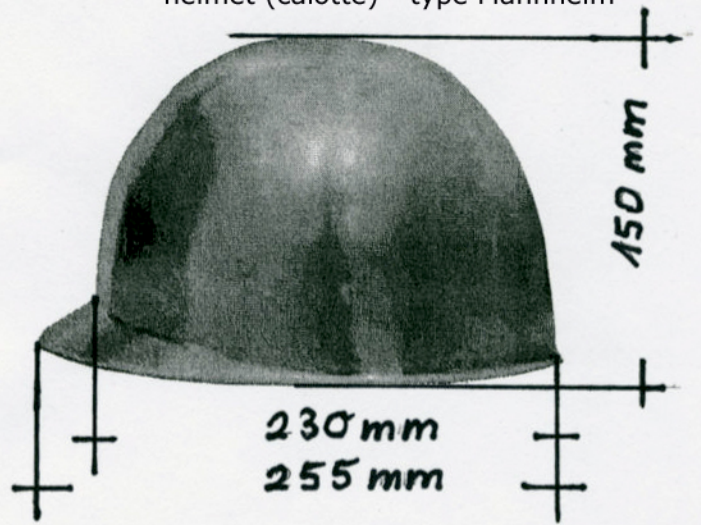


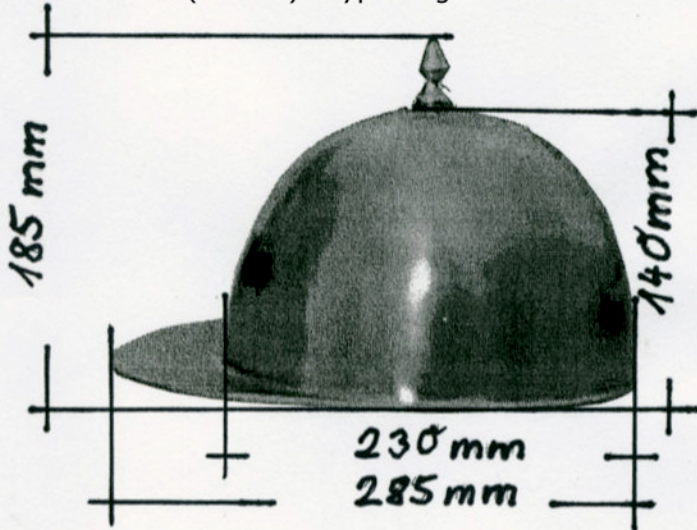
!! Important note !!

By forging of the products are possible minimum deviations of the dimension.

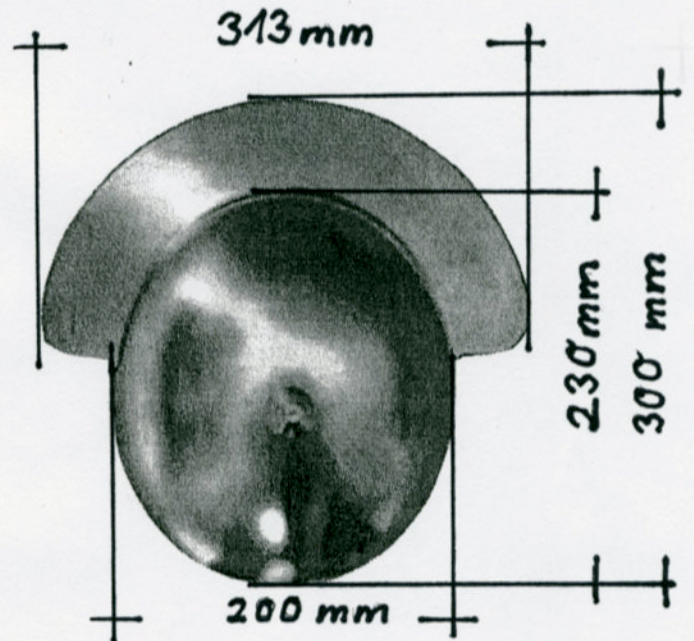
helmet (calotte) - type Mannheim



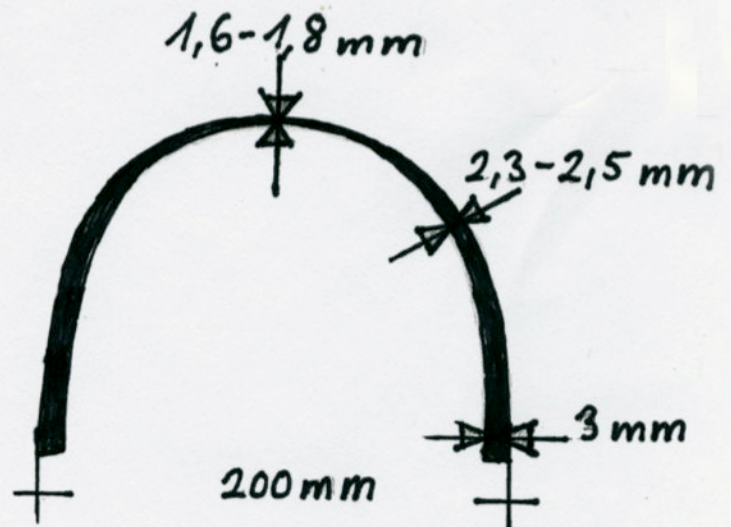
helmet (calotte) - type Hagenau



helmet (calotte) - type Hagenau II



helmet (calotte) - type Hagenau III



helmet cross-section